



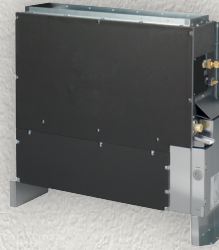
Perfecting the Air



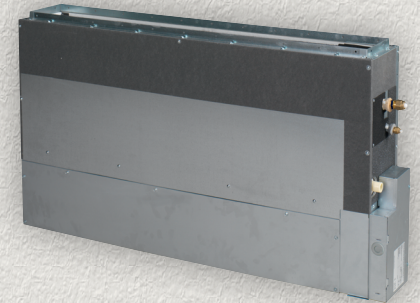
DISCREET DESIGN FOR YOUR SURROUNDING INTERIOR



PERFECT FIT FOR OFFICE OR COMMERCIAL APPLICATION



FXNQ20-32A2



FXNQ40-63A2

HEATING AND COOLING SOLUTIONS

FXNQ-A2VEB



**CONCEALED FLOOR STANDING TYPE
DESIGNED TO BE CONCEALED IN THE WALL**

The VRV Concealed Floor Standing Unit is designed to give the most discreet installation with a surprisingly small size and whisper quiet operation.

KEY FEATURES:

- Discretely concealed in the wall: only the suction and discharge grilles are visible
- Requires very little installation space as the depth is only 200mm
- Its low height (620 mm) enables the unit to fit perfectly beneath a window
- High ESP up to 59Pa* allows flexible installation

*ESP of 59dBA for FXNQ50A2VEB



POLISHED DESIGN

The most discreet installation

Discretely concealed in the wall with only the suction and discharge grilles visible, creating high-class interior design.



LOWER SOUND LEVEL

With sound level as low as 27 dB(A)*, the unit's whisper quiet sound enables installation in various locations where low noise is desired.

*Sound level for FXNQ20~32A2VEB at low fan speed

2.2kW
-TO-
7.1kW
RATED COOLING CAPACITIES

2.5kW
-TO-
8.0kW
RATED HEATING CAPACITIES

6
MODELS



Shop



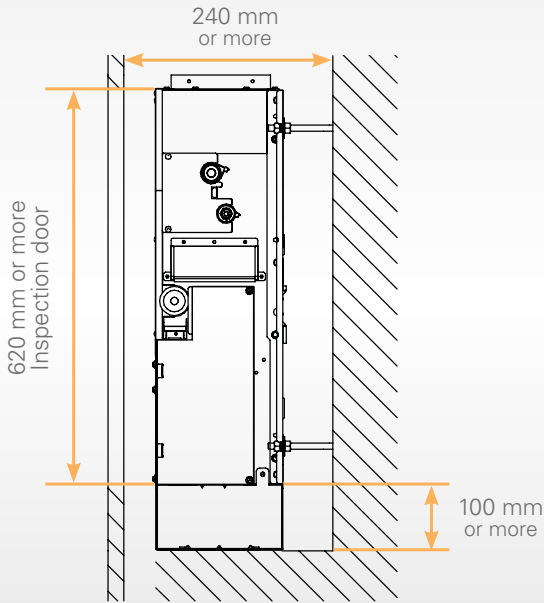
Hotel Room



Restaurant

FLEXIBLE INSTALLATION

- With only 200 mm in depth, this concealed floor standing unit requires very little installation space.
- Low unit height of 620 mm (without stands) enables it to fit perfectly beneath a window.
- High external static pressure allows wall-concealed and window sill installations.



SPECIFICATIONS

MODEL		FXNQ20A2VEB	FXNQ25A2VEB	FXNQ32A2VEB	FXNQ40A2VEB	FXNQ50A2VEB	FXNQ63A2VEB	
Power Supply		1 phase, 220-240V, 50Hz						
Cooling Capacity	Btu/h	7,500	9,600	12,300	15,400	19,100	24,200	
	kW	2.2	2.8	3.6	4.5	5.6	7.1	
Heating Capacity	Btu/h	8,500	10,900	13,600	17,100	21,500	27,300	
	kW	2.5	3.2	4.0	5.0	6.3	8.0	
Power Consumption	Cooling	0.071			0.078	0.099	0.110	
	Heating	0.068			0.075	0.096	0.107	
Casing		Galvanised Steel Plate						
Fan	Airflow rate (H/M/L)	l/s	133/120/107		175/158/142	208/183/167	275/242/217	
		m ³ /min	8.0/7.2/6.4		10.5/9.5/8.5	12.5/11/10.0	16.5/14.5/13.0	
	External static pressure	Pa	41	42	52	59	55	
Sound level (H/M/L)	dB(A)	30/28.5/27			32/30/28	33/31/29	35/33/32	
Sound Power (H)	dB(A)	51			52	53	54	
Dimensions [without stands] (HxWxD)	mm	720[620]x790x200			720[620]x990x200		720[620]x1,190x200	
Machine Weight	kg	23.5			27.5		32.0	
Piping Connections	Liquid (Flare)	6.4					9.5	
	Gas (Flare)	12.7					15.9	
	Drain	VP20 (External Dia. 26/Internal Dia. 20)						

Note: Specifications are based on the following conditions;

1. Cooling: Indoor temp.: 27°CDB, 19°CWB, Outdoor temp.: 35°CDB, Equivalent piping length: 7.5 m, Level difference: 0 m.
2. Heating: Indoor temp.: 20°CDB, Outdoor temp.: 7°CDB, 6°CWB, Equivalent piping length: 7.5 m, Level difference: 0 m.
3. Capacity of indoor unit is only for reference. Actual capacity of indoor unit is based on the total capacity index. (See Engineering Data Book for details.)
4. Sound level: Anechoic chamber conversion value, measured at a point 1.5 m in front of the unit at a height of 1.5 m. During actual operation, these values are normally somewhat higher as a result of ambient conditions.

Your Local Daikin Specialist Dealer:



daikin.co.nz